



# EL30 E/H/I INCREMENTAL ENCODER



## Incremental encoder

Miniaturized Ø30 encoder series. Used when a minimal size is required even providing excellent performances.

- Up to 1024 ppr with Zero.
- Several output types available. Up to 24 Vdc input voltage.
- Up to 100 kHz frequency response
- Output cable. Cable connector available on request.
- Several flanges available
- Up to 3.000 rpm speed rotation
- Up to IP54 sealing



shaft INCREMENTAL ENCODERS

## Ordering code

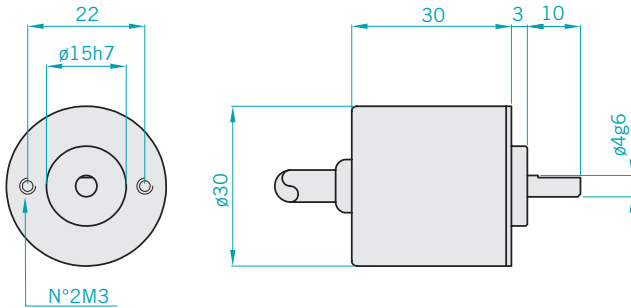
Full stop to separate special version

EL	30	E	50	Z	5	N	4	X	3	P	A	.	XXX
incremental encoder series	body dimension	Type of flanges	Resolutions	Zero pulse	Input voltage			R.P.M.	Enclosure rating	Shaft diameter	Output types		Special version code numbered from 001 to 999
		mod.EL 30 E <b>E</b> mod.EL 30 H <b>H</b> mod.EL 30 I <b>I</b>	From 1 to 1024 PPR <i>Please, directly contact our offices for pulses availability</i>	without zero pulse <b>S</b> with zero pulse <b>Z</b>	5 8 ÷ 24			3 3000	X standard IP54	4 ø 4g6 EL 30 E 6 ø 6g6 EL 30 H/I /E	N NPN C NPN OPEN COLLECTOR P PUSH PULL L LINE DRIVER		

*For optionals about output types please refer to incremental section*

EL30 E / H / I

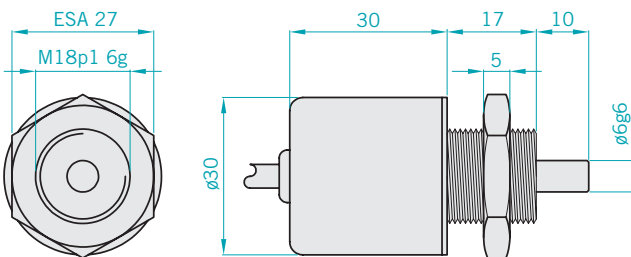
## EL 30 E



### Electrical specifications

<b>Resolution</b>	From 1 to 1024 PPR
<b>Input voltage</b>	5Vdc / 8 ÷ 24 Vdc
<b>Input current with no output load</b>	100 mA Max
<b>Source and sink current</b>	50 mA for channel 20 mA for channel with LINE DRIVER
<b>Output types</b>	NPN / NPNOPEN COLLECTOR / PUSH PULL / LINE DRIVER
<b>Output frequency</b>	100 KHz Max
<b>Frequency response</b>	$F = \frac{\text{RPM} \times \text{Resolution}}{60}$

## EL 30 H



### Mechanical specifications

<b>Shaft diameter</b>	ø4 mm g6 EL 30 E ø6 mm g6 EL 30 H/I/E
<b>Enclosure rating</b>	IP54 standard
<b>Shaft speed</b>	3000 RPM
<b>Max shaft load</b>	5N (0.5 Kp) axial 5N (0.5 Kp) radial
<b>Shock</b>	50 G for 11 msec
<b>Vibrations</b>	10G 10 ÷ 2000 Hz
<b>Bearings life</b>	10 <sup>9</sup> revolutions
<b>Bearings</b>	n° 2 Ball bearings
<b>Shaft material</b>	Stainless steel AISI303
<b>Body material</b>	Aluminium D11S - UNI 9002/5
<b>Housing material</b>	PA 66 reinforced with fiber glass
<b>Operating temperature</b>	0° ÷ +60°C
<b>Storage temperature</b>	-25° ÷ +70°C
<b>Weight</b>	50 g

## EL 30 I

